



CE TEST REPORT

FOR

SATA Flash Drive

Model: SM(U/S)130-25

Trade Name: Apacer

Issued to

Apacer Technology Inc.

1F.,No.32, Zhongcheng Rd.,Tucheng Dist., New Taipei City 236 ,Taiwan

Issued by

WH Technology Corp.

Open Site	No.120, Ln. 5, Hudong St., Xizhi Dist., New Taipei City 221, Taiwan (R.O.C.)	
EMC Test Site	Xizhi Office and Lab	7F., No.262, Sec. 3, Datong Rd., Xizhi Dist., New Taipei City 221, Taiwan (R.O.C.)
Tel.: +886-2-7729-7707 Fax: +886-2- 8648-1311		

Note: This test refers exclusively to the test presented test model and sample. This report shall not be reproduced except in full, without the written approval of WH Technology Corp. This document may be altered or revised by WH Technology Corp. Personnel only, and shall be noted in the revision section of the document.



TABLE OF CONTENTS----- 2

1. GENERAL INFORMATION ----- 4

1.1 DESCRIPTION OF THE TESTED SAMPLES ----- 5

1.2 SUMMARY OF TEST RESULT ----- 6

1.3 TEST METHODOLOGY ----- 7

1.4 DESCRIPTION OF THE SUPPORT EQUIPMENTS ----- 8

1.5 FEATURES OF EUT:PLEASE REFER TO USER MANUAL OR PRODUCT SPECIFICATION.----- 8

2. INSTRUMENT AND CALIBRATION----- 9

2.1 MEASURING INSTRUMENT CALIBRATION----- 9

2.2 TEST AND MEASUREMENT EQUIPMENT ----- 9

2.3 TEST PERFORMED ----- 10

2.4 APPENDIX----- 10

3. CONDUCTED EMISSION MEASUREMENT ----- 13

3.1 TEST SET-UP ----- 13

3.2 LIMIT----- 13

3.3 TEST PROCEDURE ----- 13

3.4 TEST SPECIFICATION ----- 14

3.5 RESULT: PASSED----- 14

3.6 TEST DATA: ----- 14

4. RADIATED EMISSION MEASUREMENT----- 15

4.1 TEST SETUP----- 15

4.2 LIMIT----- 16

4.3 TEST PROCEDURE ----- 16

4.4 TEST SPECIFICATION ----- 17

4.5 RESULT: PASSED----- 17

4.6 TEST DATA: ----- 17

PLEASE REFER TO APPENDIX 2----- 17

5. POWER HARMONIC MEASUREMENT ----- 18

5.1 TEST SETUP----- 18

5.2 LIMIT OF HARMONIC CURRENT ----- 18

5.3 TEST PROCEDURE ----- 18

5.4 TEST SPECIFICATION ----- 18

5.5 RESULT: PASSED----- 18

5.6 TEST DATA: ----- 18

6. VOLTAGE FLUCTUATIONS ----- 19

6.1 TEST SETUP----- 19

6.2 VOLTAGE FLUCTUATIONS TEST ----- 19

6.3 TEST PROCEDURE ----- 19

6.4 TEST SPECIFICATION ----- 19

6.5 RESULT: PASSED----- 19

6.6 TEST DATA: ----- 19

7. ELECTROSTATIC DISCHARGE IMMUNITY TEST (ESD)----- 20

7.1 TEST PROCEDURE ----- 20

7.2 TEST SETUP----- 20

7.3 TEST LEVEL ----- 20

7.4 TEST RESULT. ----- 21



8.	RADIATED SUSCEPTIBILITY MEASUREMENT (RS)	25
8.1	TEST SETUP	25
8.2	TEST PROCEDURE	25
8.3	TEST LEVEL	25
8.4	TEST PROCEDURE	26
8.5	TEST RESULT	26
9.	ELECTRICAL FAST TRANSIENT/BURST (EFT)	28
9.1	TEST SETUP	28
9.2	TEST PROCEDURE	28
9.3	TEST PROCEDURE	28
9.4	TEST LEVEL	29
9.5	TEST RESULT	29
10.	SURGE	30
10.1	TEST SETUP	30
10.2	TEST PROCEDURE	30
10.3	TEST LEVEL	30
10.4	TEST PROCEDURE	31
10.5	TEST RESULT	31
11.	IMMUNITY TEST TO CS CONDUCTED DISTURBANCE (CS)	32
11.1	TEST SETUP	32
11.2	TEST PROCEDURE	32
11.3	TEST LEVEL	32
11.4	TEST PROCEDURE	33
11.5	TEST RESULT	33
12.	POWER FREQUENCY MAGNETIC FIELD (MAGNETIC)	35
12.1	TEST SETUP	35
12.2	TEST STANDARD	35
12.3	TEST LEVEL	35
12.4	TEST PROCEDURE	35
12.5	TEST RESULT	36
13.	VOLTAGE DIPS AND INTERRUPTION MEASUREMENT	37
13.1	TEST SETUP	37
13.2	TEST PROCEDURE	37
13.3	TEST LEVEL	38
13.4	TEST PROCEDURE	38
13.5	TEST RESULT	39
14.	PERFORMANCE CRITERIA	40
15.	MEASUREMENT UNCERTAINTY	41
APPENDIX 1		
PHOTOS OF TEST CONFIGURATION		
APPENDIX 2		
TEST DATA		
APPENDIX 3		
PHOTOS OF EUT		



1. GENERAL INFORMATION

Applicant : POWER COMMUNICATION TECHNOLOGY CO.,LTD
Address : 1F.,No.32, Zhongcheng Rd.,Tucheng Dist., New Taipei City
236 ,Taiwan
Manufacturer : POWER COMMUNICATION TECHNOLOGY CO.,LTD
Address : 1F.,No.32, Zhongcheng Rd.,Tucheng Dist., New Taipei City
236 ,Taiwan
EUT : SATA Flash Drive
Model Name : SM(U/S)130-25
Model Differences : N/A

Measurement procedure used:

EMI:

EN 55032 : 2015
EN 61000-3-2 : 2014
EN 61000-3-3 : 2013

EMS:

EN 55035 : 2017
IEC 61000-4-2 : 2008
IEC 61000-4-3 : 2006+A1:2007+A2:2010
IEC 61000-4-4 : 2012
IEC 61000-4-5 : 2014
IEC 61000-4-6 : 2013
IEC 61000-4-8 : 2009
IEC 61000-4-11 : 2004

Deviation from Applicable Standard

According to the applicant's declaration this EUT is a class B product

The above equipment was tested by WH Technology Corp. for compliance with EMC requirements set forth in the EUROPEAN COUNCIL DIRECTIVE 2014/30/EU and the technical standards mentioned above. The results of testing in this report apply only to the product/system, which was tested. Other similar equipment will not necessarily produce the same results due to production tolerance.

This test report shall not be reproducing in part without written approval of WH Technology Corp.

Tested By:

Reviewed by:

JUN 16, 2017

Date

Bell Wei/ Engineer

JUN 16, 2017

Date

Mike Lee / Manager



1.1 DESCRIPTION OF THE TESTED SAMPLES

EUT

EUT Type : Engineer Type

Condition when received : Good Damage :

EUT Name : SATA Flash Drive

Model Number : SM(U/S)130-25

Receipt Date : 06/05/2017

EUT Power Rating : AC Power
 DC Power
 DCV from PC
 DCV from Adaptor

I/O Port of EUT : /



1.2 SUMMARY OF TEST RESULT

Emission				
Test Standard	Test Item	Test Result		
EN55022 Class B	Conducted Emission	Pass		
EN55022 Class B	Radiated Emission	Pass		
EN61000-3-2	Harmonic	Pass		
EN61000-3-3	Flicker	Pass		
Immunity				
Test Standard	Test Item	Performance Criteria	Observed Result Class	Test Result
IEC61000-4-2	Electrostatic Discharge	B	A	Pass
IEC61000-4-3	Radiated Susceptibility	A	A	Pass
IEC61000-4-4	Electrical Fast Transient	B	A	Pass
IEC61000-4-5	Surge	B	A	Pass
IEC61000-4-6	Conducted Susceptibility	A	A	Pass
IEC61000-4-8	Magnetic Field	A	A	Pass
IEC61000-4-11	Voltage Dips and Interruption	Dips >95% B	B	Pass
		Dips 30% C	C	Pass
		Interruptions >95% C	C	Pass



1.3 TEST METHODOLOGY
EUT SYSTEM OPERATION

1. The EUT was configured according to EN55032 CLASS B.
2. Photos of test configuration please refer to appendix 1.
3. Perform the EMC testing procedures, and measure the maximum emission noise.



1.4 DESCRIPTION OF THE SUPPORT EQUIPMENTS

Setup Diagram

See test photographs attached in appendix 1 for the actual connections between EUT and support equipment.

Support Equipment

Peripherals Devices:

OUTSIDE SUPPORT EQUIPMENT							
No.	Equipment	Model	Serial No.	FCC ID/ BSMI ID	Trade name	Data Cable	Power Cord
1.	PC	D13M	FZHBW02	R33002	DELL	N/A	Unshielded 1.8m
2.	Monitor	UZ2315Hf	CN-0NJ1C5- 72872-473-A F2SREVA02	R43002	DELL	Shielded 1.8m	Unshielded 1.8m
3.	Printer	D4360	N/A	R33001	HP	Shielded 1.8m / USB	Unshielded 1.8m
4.	USB 3.0	32G	AUC350-32G- CGD	D33A23	ADATA	Shielded 1.5m / USB	N/A
5.	Mouse	MS111-L	CN-09RRC7- 48729-43M-0 70D	T41126	DELL	Shielded 1.8m / USB	N/A
6.	Keyboard	D13M	2P4BR12	R41108	DELL	Shielded 1.8m / USB	N/A
EUT							
No.	Equipment	Model	Serial No.	FCC ID/ BSMI ID	Trade name	Data Cable	Power Cord
1.	N/A	N/A	N/A	N/A	N/A	N/A	N/A

Note: All the above equipment /cable were placed in worse case position to maximize emission signals during emission test.

Grounding: Grounding was in accordance with the manufacturer's requirement and conditions for the intended use.

1.5 FEATURES OF EUT:

PLEASE REFER TO USER MANUAL OR PRODUCT SPECIFICATION.



2. INSTRUMENT AND CALIBRATION

2.1 MEASURING INSTRUMENT CALIBRATION

The measuring equipment utilized to perform the tests documented in the report has been calibrated once a year or in accordance with the manufacturer’s recommendations, and is traceable to recognized national standards.

2.2 TEST AND MEASUREMENT EQUIPMENT

The following list contains measurement equipment used for testing. The equipment conforms to the requirement of CISPR 16-1, ANSI C63.2 and. Other required standards.

Calibration of all test and measurement, including any accessories that may effect such calibration, is checked frequently to ensure the accuracy. Adjustments are made and correction factors are applied in accordance with the instructions contained in the respective.

TABLELIST OF TEST AND MEASUREMENT EQUIPMENT

Test Site	Instrument	Manufacturer	Model No.	S/N	Next Cal. Date
Conduction	Spectrum (9K--3GHz)	R&S	FSP3	833387/010	2017/09/20
	EMI Receiver	R&S	ESHS10	830223/008	2018/05/22
	LISN	Rolf Heine Hochfrequenztechnik	NNB-2/16z	98062	2018/05/25
	ISN	Schwarzbeck	8-Wire ISN CAT5	CAT5-8158-0094	2017/09/21
	RF Cable	N/A	N/A	EMI-3	2017/10/19
Radiation	Bilog antenna(30M-1G)	ETC	MCTD2786B	BLB16M04004/JB-5-004	2018/05/03
	Double Ridged Guide Horn antenna(1G-18G)	ETC	MCTD 1209	DRH15N02009	2017/11/23
	Horn antenna (18G-26G)	com-power	AH-826	81000	2017/08/15
	LOOP Antenna (Below 30M)	com-power	AL-130	17117	2017/10/04
	Pre amplifier (30M-1G)	EMC INSTRUMENT	EMC9135	980334	2018/05/04
	Microwave Preamplifier (1G-18G)	EMC INSTRUMENT	EMC051845	980108&A T -18001	2017/10/23



	Pre amplifier (18G~26G)	MITEQ	JS4-18002600-30-5A	808329	2017/08/10
	EMI Test Receiver	R&S	ESVS30 (20M-1000MHz)	826006/002	2017/11/28
	RF Cable (open site)	EMCI	N male on end of both sides (EMI4)	30m	2017/10/19
	RF CABLE (1~26.5G)	HARBOUT INDUSTRIES	LL142MI(4M+4M)	NA	2018/04/17
	RF CABLE (1~26.5G)	HARBOUR INDUSTRIES	LL142MI(7M)	NA	2017/08/11
	Spectrum (9K--7GHz)	R&S	FSP7	830180/006	2018/04/14
	Spectrum (9K--40GHz)	AGILENT	8564EC	4046A0032	2018/03/01
Software	e3	AUDIX	N/A	N/A	N/A
SG	SINGAL GENERATOR (100k-1GHz)	HP	8648A	3619U0042 6	N/A

#: CALIBRATION INTERVAL OF INSTRUMENTS LISTED ABOVE IS ONE YEAR

2.3 TEST PERFORMED

Conducted emissions were investigated over the frequency range from 0.15 MHz to 30 MHz using a receiver which resolution bandwidth is set at 9 KHz.

Radiated emissions were investigated over the frequency range from 30 MHz to 1000 MHz using a receiver which resolution bandwidth is set at 120 KHz. Radiated measurement was performed at distance that from an antenna to EUT is 10 meters.

2.4 APPENDIX

Appendix A: Measurement Procedure for Main Power Port Conducted Emissions

The measurements are performed in a WH lab room; The EUT was placed on non-conductive 1.0m x 1.5m table, which is 0.8 meters above an earth-grounded.

Power to the EUT was provided through the LISN which has the Impedance (50 ohm/50 uH) vs. Frequency Characteristic in accordance with the standard. Powers to the LISNs were filtered to eliminate ambient signal interference and these filters were bonded to the ground plane. Peripheral equipment required to provide a functional system (support equipment) for EUT testing was powered from the second LISN through a ganged, metal power outlet box which is bonded to the ground plane at the LISN.

If the EUT is supplied with a flexible power cord, the power cord length in excess of the distance separating the EUT from the LISN shall be folded back and forth at the center of the lead so as to form a bundle not exceeding 40cm in length. If the EUT is provided with a permanently coiled power cord, bundling of the cord is not



required. If the EUT is supplied without a power cord, the EUT shall be connected to the LISN by a power cord of the type specified by the manufacturer which shall not be longer than 1 meter. The excess power cord shall be bundled as described above. If a non-flexible power cord is provided with the EUT, it shall be cut to the length necessary to attach the EUT to the LISN and shall not be bundled.

The interconnecting cables were arranged and moved to get the maximum measurement. Both the line of power cord, hot and neutral, was measured.

The highest emissions were analyzed in details by operating the spectrum analyzer in fixed tuned mode to determine the nature of the emissions and to provide information which could be useful in reducing their amplitude.

Appendix B: Test Procedure for Radiated Emissions

Preliminary Measurements in the Anechoic Chamber

The radiated emissions are initially measured in the anechoic chamber at a measurement distance of 3 meters. Desktop EUT are placed on a wooden stand 0.8 meter in height. The measurement antenna is 3 meters from the EUT. The test setup in anechoic chamber is the same as open site. The turntable rotated 360°C. The antenna height is 1m. The primary objective of the radiated measurements in the anechoic chamber is to identify the frequency spectrum in the absence of the electromagnetic environment existing on the open test site. The frequencies can then be pre-selected on the open test site to obtain the corresponding amplitude. The initial scan is made with the spectrum analyzer in automatic sweep mode. The spectrum peaks are then measured manually to determine the exact frequencies.



Measurements on the Open Site or Chamber

The radiated emissions test will then be repeated on the open site or chamber to measure the amplitudes accurately and without the multiple reflections existing in the shielded room. The EUT and support equipments are set up on the turntable. Desktop EUT are set up on a wooden stand 0.8 meter above the ground.

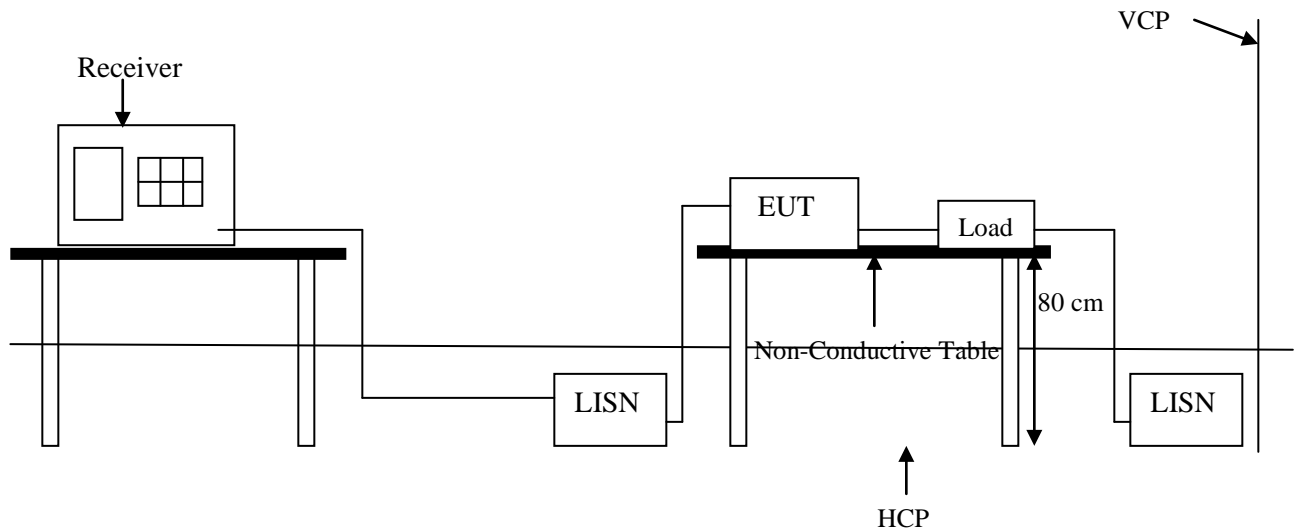
For the initial measurements, the receiving antenna is varied from 1-4 meter height and is changed in the vertical plane from vertical to horizontal polarization at each frequency. Both reading are recorded with the quasi-peak detector with 120 KHz bandwidth. For frequency between 30 MHz and 1000 MHz, the reading is recorded with peak detector or quasi-peak detector.

At the highest amplitudes observed, the EUT is rotated in the horizontal plane while changing the antenna polarization in the vertical plane to maximize the reading. The interconnecting cables were arranged and moved to get the maximum measurement. Once the maximum reading is obtained, the antenna elevation and polarization will be varied between specified limits to maximize the readings.



3. CONDUCTED EMISSION MEASUREMENT

3.1 TEST SET-UP



3.2 LIMIT

Frequency range (MHz)	CLASS A		CLASS B	
	QP dB(uV)	Average dB(uV)	QP dB(uV)	Average dB(uV)
0.15-0.5	79 dBuV	66 dBuV	66 - 56 dBuV	56 - 46 dBuV
0.5-5.0	73 dBuV	60 dBuV	56 dBuV	46 dBuV
5.0-30.0	73 dBuV	60 dBuV	60 dBuV	50 dBuV

Remark: In the above table, the tighter limit applies at the band edges.

3.3 TEST PROCEDURE

The EUT and simulators are connected to the main power through a line impedance stabilization network (LISN). It provides a 50 ohm / 50 μ H coupling impedance for the measuring equipment. The peripheral devices are also connected to the main power through a LISN that provides a 50 ohm / 50 μ H coupling impedance with 50 ohm termination. (Please refer to the block diagram of the test setup and photograph.)

Both sides of AC line are checked for the maximum conducted emission interference. In order to find the maximum emissions, the relating positions of equipment and all of the interference cables must be changed according to EN 55022 regulation: The measurement procedure on conducted emission interference.

The resolution bandwidth of the field strength meter is set at 9 KHz



3.4 TEST SPECIFICATION

According to EN 55032

(Please refer to Page 4 for dated references which are related to the standard as mentioned above)

3.5 RESULT: PASSED

EMI Receiver/Spectrum Analyzer Configuration (for the frequencies tested)

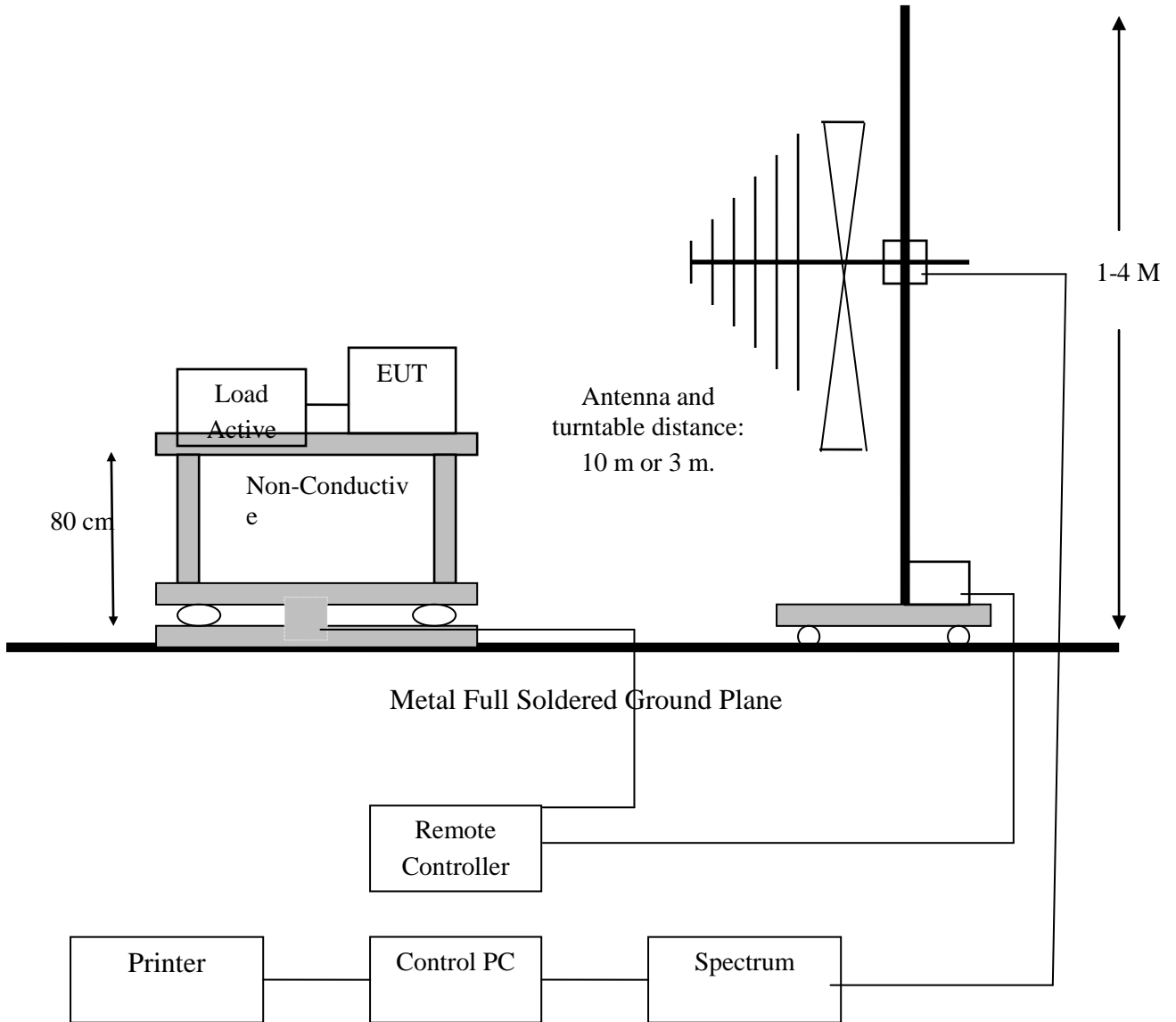
Frequency Range:	150 KHz—30 MHz
Detector Function:	Quasi-Peak / Average Mode
Resolution Bandwidth:	9 KHz

3.6 TEST DATA:

Please refer to appendix 2



4. RADIATED EMISSION MEASUREMENT 4.1 TEST SETUP





4.2 LIMIT

Frequency	Class A		Class B	
MHz	Distance (Meter)	Limit dB μ V/m	Distance (Meter)	Limit dB μ V/m
30 ~ 230	10	40	10	30
230 ~ 1000	10	47	10	37

For Class A

Frequency range GHz	Average limit dB(μ V/m)	Peak limit dB(μ V/m)
1 to 3	56	76
3 to 6	60	80
NOTE The lower limit applies at the transition frequency.		

For Class B

Frequency range GHz	Average limit dB(μ V/m)	Peak limit dB(μ V/m)
1 to 3	50	70
3 to 6	54	74
NOTE The lower limit applies at the transition frequency.		

Remark: In the above table, the tighter limit applies at the band edges.

4.3 TEST PROCEDURE

The EUT and its simulators are placed on turn table, non-conductive and wooden table, which is 0.8 meter above ground. The turn table rotates 360 degrees to determine the position of the maximum emission level. For the frequency range is below 1 GHz, the EUT was positioned such that distance from antenna to the EUT is 10 meters. For the frequency range is above 1 GHz, the EUT was positioned such that distance from antenna to the EUT is 3 meters.

For the frequency range is below 1 GHz, the antenna is moved up and down between 1 meter and 4 meters to receive the maximum emission level.

Both horizontal and vertical polarizations of the antenna are set on measurement. In order to find the maximum emission, all of the interference cables must be



manipulated according to EN55032 regulation: the test procedure of the radiated emission measurement.

The bandwidth set on the field strength is 120 KHz when the frequency range is below 1GHz. The bandwidth set on the field strength is 1 MHz when the frequency range is above 1GHz.

4.4 TEST SPECIFICATION

According to EN 55032 CLASS B

(Please refer to Page 4 for dated references which are related to the standard as mentioned above)

4.5 RESULT: PASSED

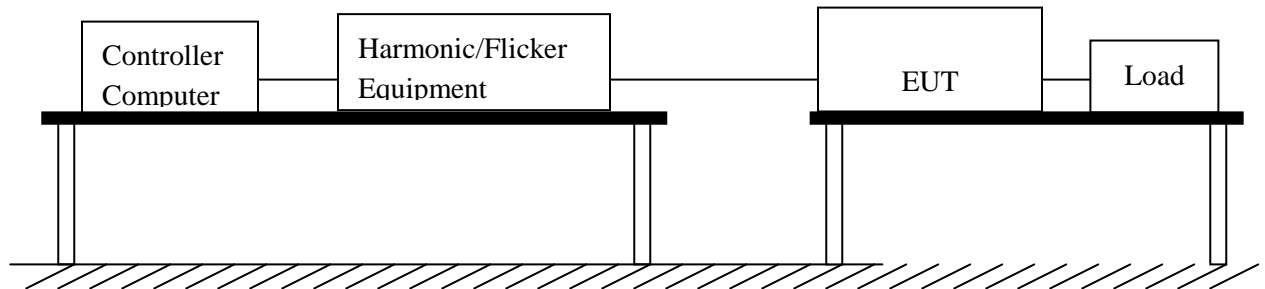
4.6 TEST DATA:

Please refer to appendix 2



5. POWER HARMONIC MEASUREMENT

5.1 TEST SETUP



5.2 LIMIT OF HARMONIC CURRENT

Limit of Harmonic Currents

Harmonic Order	Maximum Permissible Harmonic Current (Ampere)	Harmonic Order	Maximum Permissible Harmonic Current (Ampere)
Odd Harmonic		Even Harmonic	
3	2.30	2	1.08
5	1.14	4	0.43
7	0.77	6	0.30
9	0.40	8 ≤ n ≤ 40	0.23 x 8/n
11	0.33		
13	0.21		
15 ≤ n (39)	0.15 x 15/n		

5.3 TEST PROCEDURE

The EUT is supplied in series with power analyzer from a power source has the same normal voltage and frequency as the rated supply voltage and the equipment under test. The rated voltage at the supply voltage of EUT of 0.94 time and 1.06 times shall be performed.

5.4 TEST SPECIFICATION

According to EN 61000-3-2

(Please refer to Page 4 for dated references which are related to the standard as mentioned above)

5.5 RESULT: PASSED

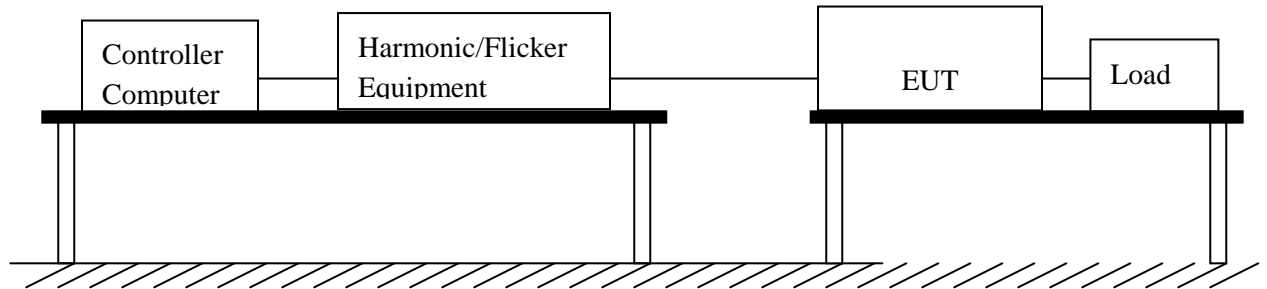
5.6 TEST DATA:

Please refer to appendix 2



6. VOLTAGE FLUCTUATIONS

6.1 TEST SETUP



6.2 VOLTAGE FLUCTUATIONS TEST

Port:	AC mains
Basic Standard:	EN61000-3-3
Test Procedure	Refer to paragraph 6.3
Observation period:	For Pst 10min
	For Plt 2 hours

6.3 TEST PROCEDURE

The EUT is supplied in series with reference impedance from a power source with the voltage and frequency as the nominal supply voltage and frequency of the EUT.

6.4 TEST SPECIFICATION

According to EN 61000-3-3

According to EN55032 CLASS B

(Please refers to Page 4 for dated references which are related to the standard as mentioned above)

6.5 RESULT: PASSED

6.6 TEST DATA:

Please refer to appendix 2



7. ELECTROSTATIC DISCHARGE IMMUNITY TEST (ESD)

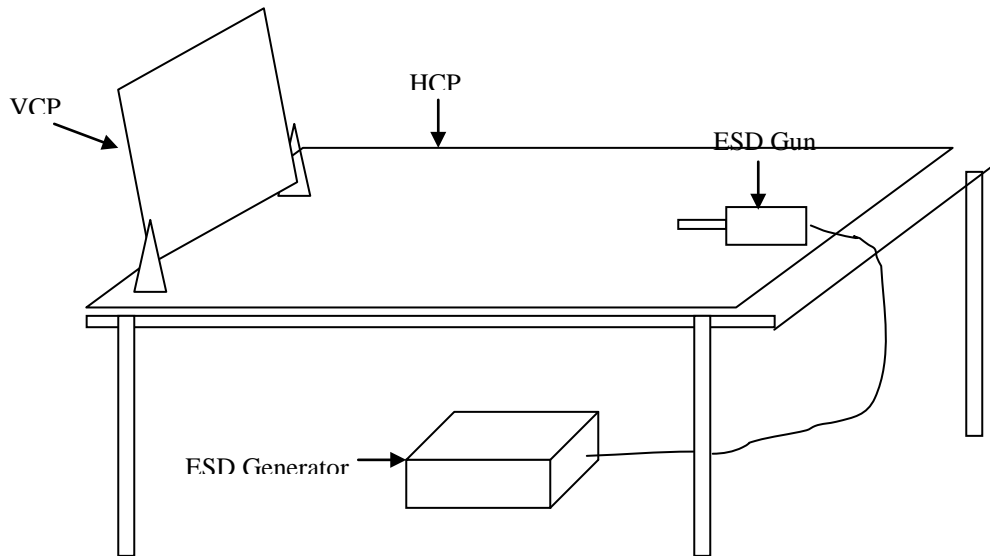
7.1 TEST PROCEDURE

According To IEC 61000-4-2

According To EN 55024

(Please refer to Page 4 for dated references which are related to the standard as mentioned above)

7.2 TEST SETUP



7.3 TEST LEVEL

Item	Test Specification	Unit	Performance Criteria
Enclosure Room	±2, 4, 8 (Air Discharge)	KV (Charge Voltage)	B
Electrostatic Discharge	±2,4 (Contact Discharge)		
Time between test	<u>1</u>	sec	

Number of test: 10 Discharges / Test point / Polarity / Level

Particular requirements: at least 200 discharges, 100 each at negative and positive polarity, at a minimum of four test points.

When the measurement was taken, The ESD discharger was performed in single discharge. For the single discharge time between successive single discharges will keep on one second. It was at least ten single discharges with positive and negative at the same selected pointed. The selected pointed, which was performed with electrostatic discharge, was marked on the red label on the EUT Indirect applicant of discharge to the EUT

Vertical Coupling Plane (VCP)



The coupling plane, of dimensions 0.5 m x 0.5 m, is placed parallel to, and positioned at a distance 0.1 m from, the EUT, with the discharge electrode touching the coupling plane.

The four faces of the EUT will be performed with electrostatic discharge. It was at least ten singles discharges with positive and negative at the same selected point.

Horizontal Coupling Plane (HCP)

The coupling plane is placed under the EUT. The generator shall be positioned vertically at a distance of 0.1m from the EUT, with the discharge electrode touching the coupling.

The four faces of the EUT will be performed with electrostatic discharge. It was at least ten single discharges with positive and negative at the same selected pointed.

7.4 TEST RESULT.

Model: SM(U/S)130-25

Temperature: 23.5°C , Humidity: 55% RH

Test Item : Direct Discharge																
Contact Discharge								Air Discharge								
2 KV		4 KV		KV		KV		2 KV		4 KV		6 KV		8 KV		
+	-	+	-	+	-	+	-	+	-	+	-	+	-	+	-	
A	A	A	A	/	/	/	/	A	A	A	A	A	A	A	A	
Test Item : Indirect Discharge																
Contact Discharge																
	2 KV		4 KV		KV		KV									
	+	-	+	-	+	-	+	-	+	-	+	-	+	-		
1	A	A	A	A	/	/	/	/	/	/	/	/	/	/		

Performance Criteria:

- A) Normal performance within the specification;
- B) Temporary degradation or less of function of performance which is self recoverable;
- C) Temporary degradation or less of function or perform. Which requires. operate intervention or system reset;
- D) Degradation or loss of function which is not recoverable due to damage of equipment (components) or software, or loss of data;

"/" : no test.



Test points please refer below photos.

Receiver





Transmitter



Red dot: Contact; Blue dot: Air



Final Result: **PASSED**

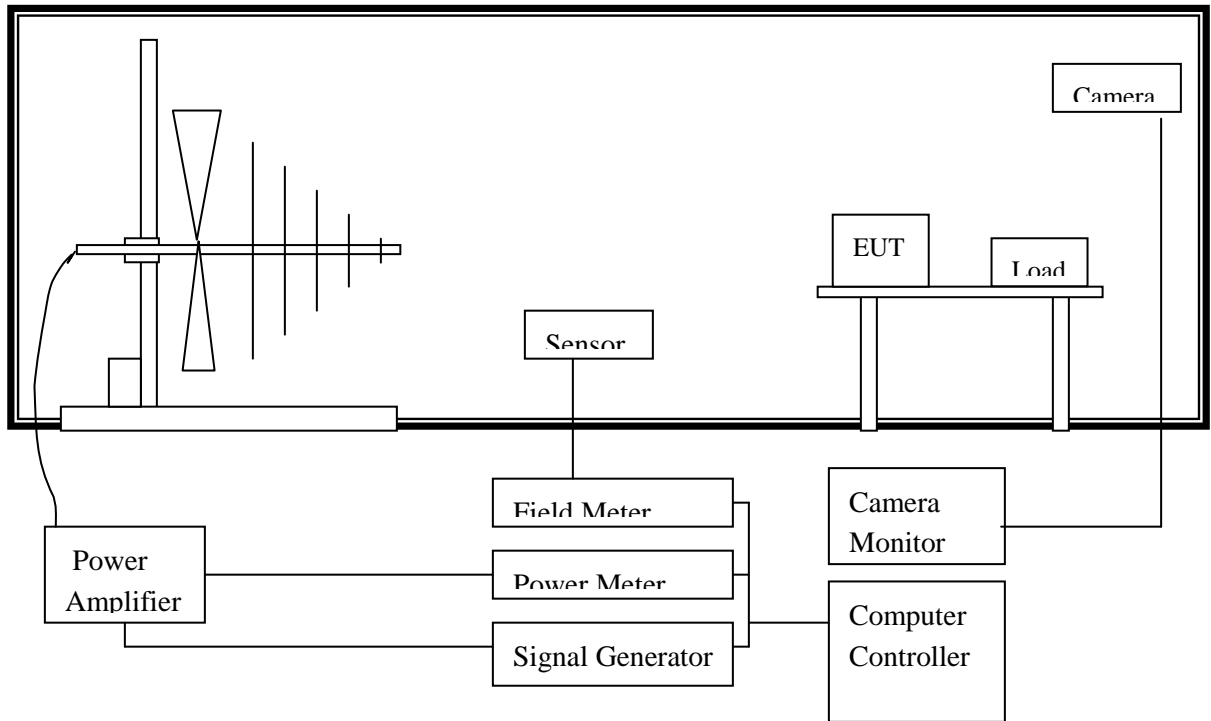
Remark:

Photos of test configuration please refer to appendix 1.



8. RADIATED SUSCEPTIBILITY MEASUREMENT (RS)

8.1 TEST SETUP



8.2 TEST PROCEDURE

According To IEC 61000-4-3

According To EN 55024

(Please refer to Page 4 for dated references which are related to the standard as mentioned above)

8.3 TEST LEVEL

Item	Test Specification	Unit	Performance Criteria
Radio –Frequency	80~1000	MHz	A
Electromagnetic Field	3	V/m (unmodulated, rms)	
Amplitude Modulated	80	%AM (1 KHz)	



8.4 TEST PROCEDURE

The EUT and load, which are placed on a wooden table whose height is 0.8 meter aboveground, are placed with one coincident with the calibration plane such that the distance from antenna to the EUT is 3 meters.

Both horizontal and vertical polarization of the antenna position and four sides of the EUT are set on measurement. In order to judge the EUT performance, a CCD camera is used to monitor the situation of EUT.

All the scanning conditions are as follows:

Condition of Test	Remarks
1. Field Strength	3 V/m; Level 2
2. Radiated Signal	AM 80% modulated with 1 KHz
3. Scanning Frequencies	80 MHz ~ 1000 MHz
4. Dwell Time	3 seconds
5. Frequency step size	1%
6. The rate of swept of frequency	1.5×10^{-3} decades/s
7. Antenna Polarity	HORIZONTAL & VERTICAL
8. The four sides of EUT are tested	FRONT, REAR, RIGHT, LEFT

8.5 TEST RESULT

Model: SM(U/S)130-25

Temperature: 23.5°C , Humidity: 55% RH

ANT SIDE	3 V HORIZONTAL	3 V VERTICAL	RESULT
FRONT	A	A	PASSED
REAR	A	A	PASSED
RIGHT	A	A	PASSED
LEFT	A	A	PASSED



Performance Criteria:

- A) Normal performance within the specification;
 - B) Temporary degradation or less of function of performance which is self recoverable;
 - C) Temporary degradation or less of function or perform. Which requires. operate intervention or system reset;
 - D) Degradation or loss of function which is not recoverable due to damage of equipment (components) or software, or loss of data;
- "/" : no test.

Final Result: **PASSED**

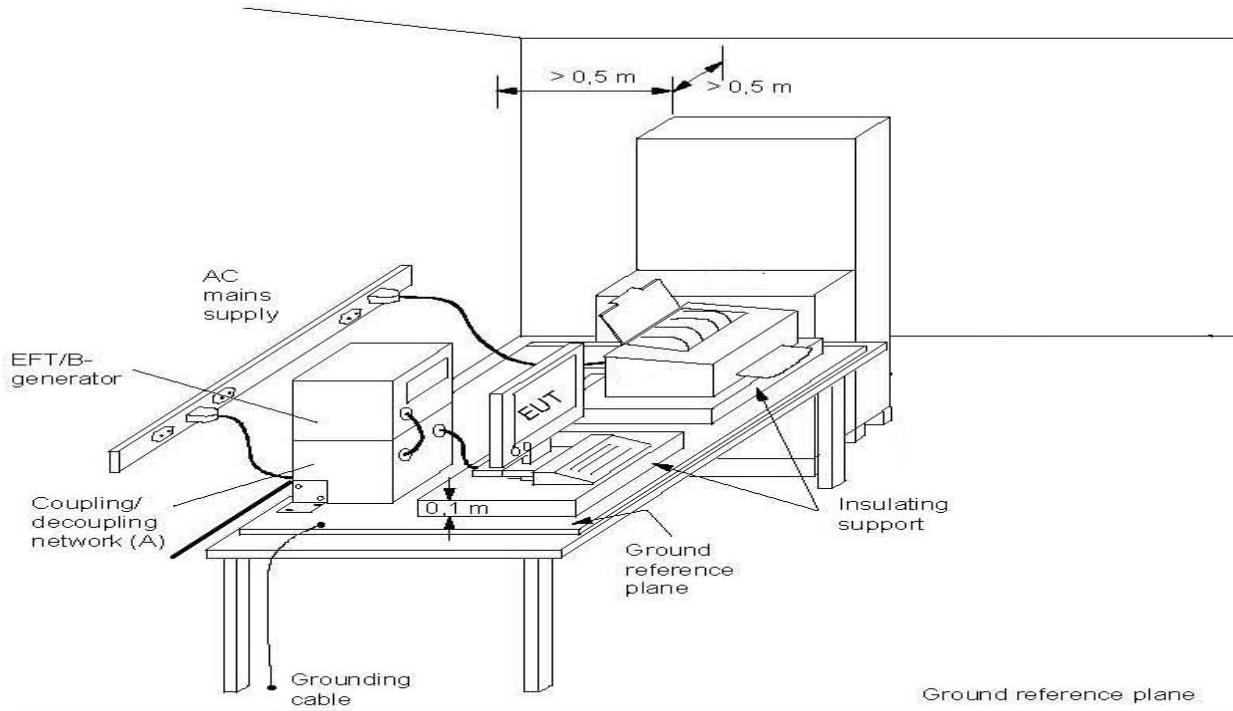
Remark:

Photos of test configuration please refer to appendix 1.



9. ELECTRICAL FAST TRANSIENT/BURST (EFT)

9.1 TEST SETUP



9.2 TEST PROCEDURE

According To IEC 61000-4-4

According To EN 55024

(Please refer to Page 4 for dated references which are related to the standard as mentioned above)

9.3 TEST PROCEDURE

The EUT and load are placed on a ground reference plane and insulated from it by an insulating support $0,1 \text{ m} \pm 0,01 \text{ m}$ thick. The minimum area of the ground reference plane is $1 \text{ m} \times 1 \text{ m}$. It also projected beyond the EUT by at least 0.1 meter on all sides.

For Input and Output AC power or DC Input and DC Output Power Ports:

The EUT is connected with the power mains through a coupling device that directly couples the EFT interference signal.

Each of the line and nature conductors is impressed with burst noise for 1 minute.

For Protective Earth Port:

The EUT is connected to the power mains through a coupling device that directly couples the EFT interference signal. The protective earth line (PE) is impressed with burst noise for 1 minute.

The length of power cord between the coupling device and the EUT shall be $0.5 \text{ m} \pm 0.05 \text{ m}$.

For signal Lines and Control Lines Test:



The EFT interference signal is through a coupling clamp device couples to the signal and control lines of the EUT with burst noise for 1 minute.

9.4 TEST LEVEL

Item	Test Specification	Unit	Performance Criteria
Test Voltage	±0.5, ±1	KV (Peak)	B
Pulse Rise time & Duration	5/50	Tr/Ts (ns)	
Pulse Repetition	5	Rep. Frequency (KHz)	

9.5 TEST RESULT

Model: SM(U/S)130-25

Temperature: 23.5°C , Humidity: 55% RH

Test Point/ Mode / Result		0.5 KV		1 KV		2 KV	
		+	-	+	-	+	-
Power Line	L	A	A	A	A	/	/
	N	A	A	A	A	/	/
	G	A	A	A	A	/	/
Signal Line Clamp Test		/	/	/	/	/	/

Performance Criteria:

- A) Normal performance within the specification;
- B) Temporary degradation or less of function of performance which is self recoverable;
- C) Temporary degradation or less of function or perform. Which requires. operate intervention or system reset;
- D) Degradation or loss of function which is not recoverable due to damage of equipment (components) or software, or loss of data;

"/" : no test.

Final Result: **PASSED**

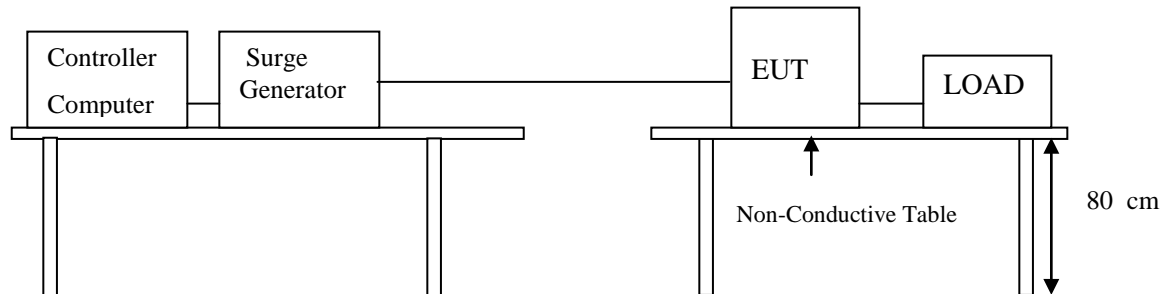
Remark:

Photos of test configuration please refer to appendix 1.



10. SURGE

10.1 TEST SETUP



10.2 TEST PROCEDURE

According To IEC 61000-4-5

According To EN 55024

(Please refer to Page 4 for dated references which are related to the standard as mentioned above)

10.3 TEST LEVEL

Item	Test Specification	Unit	Performance Criteria
DC Input and DC Output Power Ports			
Surge	1.2/50(8/20)	Tr/Ts (μs)	B
Line to Ground	±0.5	KV	
Line to Line	±0.5	KV	
AC Input and AC Output Power Ports			
Surge	1.2/50(8/20)	Tr/Ts (μs)	B
Line to Ground	±2	KV	
Line to Line	±1	KV	
Polarity	POSITIVE / NEGATIVE		
Phase shifting in a range between 0°to 360°			



10.4 TEST PROCEDURE

The EUT and its load are placed on a table which is 0.8 meter height. The length of power cord between the coupling device and the EUT shall be 2 meters or less.

For Input and Output AC Power or DC Input and DC Output Power Ports:

The EUT is connected to the power mains through a coupling device that directly couples the Surge interference signal.

The Surge noise shall be applied synchronized to the voltage phase at 0°, 90°, 180°, 270° and the peak value of the AC voltage wave. (5 Positive and 5 Negative)

Each of line-earth and line-line is impressed with a sequence of five surge voltages with interval of 1 minute.

10.5 TEST RESULT

Model: SM(U/S)130-25

Temperature: 23.5°C , Humidity: 55% RH

Phase/Polarity/Mode/Result			0	90	180	270
Signal Line 2 KV	Line	+	/	/	/	/
	Neutral	-	/	/	/	/
1 KV	Line	+	A	A	A	A
	Neutral	-	A	A	A	A
2 KV	Line	+	A	A	A	A
	Ground	-	A	A	A	A
	Neutral	+	A	A	A	A
	Ground	-	A	A	A	A

Performance Criteria:

- A) Normal performance within the specification;
 - B) Temporary degradation or less of function of performance which is self recoverable;
 - C) Temporary degradation or less of function or perform. Which requires. operate intervention or system reset;
 - D) Degradation or loss of function which is not recoverable due to damage of equipment (components) or software, or loss of data;
- "/" : no test.

Final Result: **PASSED**

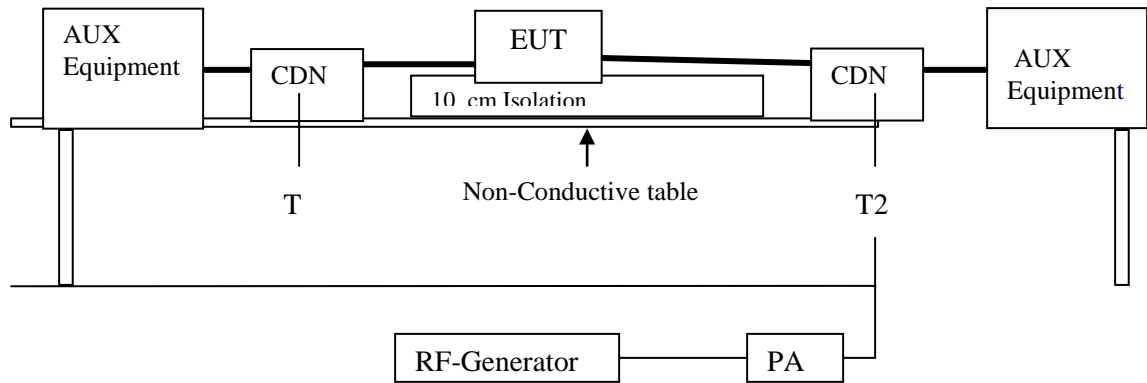
Remark:

Photos of test configuration please refer to appendix 1.



11. IMMUNITY TEST TO CS CONDUCTED DISTURBANCE (CS)

11.1 TEST SETUP



11.2 TEST PROCEDURE

According To IEC 61000-4-6

According To EN 55024

(Please refer to Page 4 for dated references which are related to the standard as mentioned above)

11.3 TEST LEVEL

Item	Test Specification	Unit	Performance Criteria
Ports for Signal Lines			
Radio-Frequency	0.15 ~ 80	MHz	A
Common Mode	3	V (rms, Unmodulated)	
Amplitude Modulated	80	%AM (1 KHz)	
	150	Source Impedance	
Ac Input and AC Output and DC Input and DC output Ports and Functional Earth Ports			
Radio-Frequency	0.15 ~ 80	MHz	
Common Mode	3	V (rms, Unmodulated)	A
Amplitude Modulated	80	%AM (1 KHz)	
	150	Source Impedance	



11.4 TEST PROCEDURE

The EUT are placed on a table which is 0.8 meter height and a ground reference plane on the table, the EUT are placed upon table and use 10cm insulation between the EUT and ground reference plane.

For AC Input and AC Output Power or DC Input and DC Output Power Ports

The EUT is connected to the power mains through a coupling and decoupling networks for Power supply lines. It also directly couples the disturbance signal into EUT.

Use CDN-M2 for two wires or CDN-M3 for three wires.

For Signal Lines and Control Lines Test:

The disturbance signal is through a coupling and decoupling networks (CDN) or EM-clamp which is to couple the signal and control lines of the EUT.

All scanning frequencies conditions are as following:

Condition of Test	Remarks
IEC 61000-4-6	
1. Field Strength	3 V; Level 2
2. Radiated Signal	AM 80% modulated with 1 KHz
3. Scanning Frequencies	0.15 MHz ~ 80 MHz
4. Dwell Time	3 seconds
5. Frequency step size Δf	1%
6. The rate of swept of frequency	1.5×10^{-3} decades/s

11.5 TEST RESULT

Model: SM(U/S)130-25

Temperature: 23.5°C , Humidity: 55% RH

TEST Specification	Unit	Performance Criteria
0.15 - 80	MHz	A
3	V	
80	% AM (1 KHz)	

Performance Criteria:

- A) Normal performance within the specification;
- B) Temporary degradation or less of function of performance which is self recoverable;
- C) Temporary degradation or less of function or perform. Which requires. operate intervention or system reset;
- D) Degradation or loss of function which is not recoverable due to damage of equipment (components) or software, or loss of data;

"/" : no test.



Final Result: **PASSED**

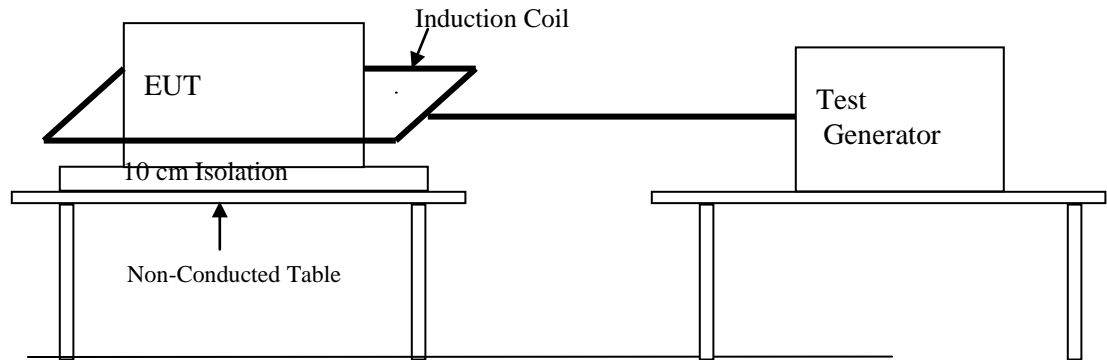
Remark:

Photos of test configuration please refer to appendix 1.



12. POWER FREQUENCY MAGNETIC FIELD (MAGNETIC)

12.1 TEST SETUP



12.2 TEST STANDARD

According To IEC 61000-4-8

According To EN 55024

(Please refer to Page 4 for dated references which are related to the standard as mentioned above)

12.3 TEST LEVEL

Item	Test Specification	Unit	Performance Criteria
Power-Frequency	50	Hz	A
Magnetic Field	1	A/m	

12.4 TEST PROCEDURE

The EUT and its load are placed on a table that is 0.8 meter above the metal ground plane dimension is at least 1 meter x 1 meter. The test magnetic field shall be placed at least than 3 meter distance from the induction coil.

The test magnetic field shall be applied by the immersion method to the EUT. The induction coil shall be rotated by 90° in order to expose the EUT to the test field with different orientation (X, Y, Z orientation).



12.5 TEST RESULT

Model: SM(U/S)130-25

Temperature: 23.5°C , Humidity: 55% RH

Environmental Phenomena	Test Specification	Units	Performance Criteria
Magnetic Field	1	A/m	A

Performance Criteria:

- A) Normal performance within the specification;
 - B) Temporary degradation or less of function of performance which is self recoverable;
 - C) Temporary degradation or less of function or perform. Which requires. operate intervention or system reset;
 - D) Degradation or loss of function which is not recoverable due to damage of equipment (components) or software, or loss of data;
- "/" : no test.

Final Result: **PASSED**

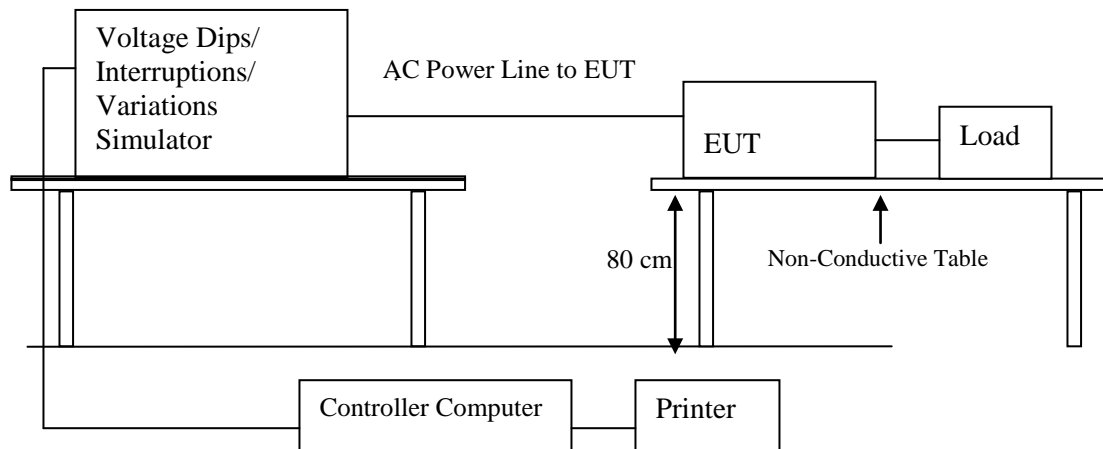
Remark:

Photos of test configuration please refer to appendix 1.



13. VOLTAGE DIPS AND INTERRUPTION MEASUREMENT

13.1 TEST SETUP



13.2 TEST PROCEDURE

According To IEC 61000-4-11

According To EN 55024

(Please refer to Page 4 for dated references which are related to the standard as mentioned above)



13.3 TEST LEVEL

Class ^a	Test level and durations for voltage dips				
Class 1	Case-by-case according to the equipment requirements				
Class 2	0 % during 1/2 cycle	0 % during 1 cycle	70 % during 25/30 ^c cycles		
Class 3	0 % during 1/2 cycle	0 % during 1 cycle	40 % during 10/12 ^c cycles	70 % during 25/30 ^c cycles	80 % during 250/300 ^c cycles
Class X ^b	X	X	X	X	X

a: Classes as per IEC 61000-2-4.
b: To be defined by product committee. For equipment connected directly or indirectly to the public network, the levels must not be less severe than Class 2.
c: "25/30 cycles" means "25 cycles for 50 Hz test" and "30 cycles for 60 Hz tet".

Class ^a	Test level and durations for short interruptions (t _s) (50Hz / 60Hz)
Class 1	Case-by-case according to the equipment requirements
Class 2	0 % during 250/300 ^c cycles
Class 3	0 % during 250/300 ^c cycles
Class X ^b	X

a: Classes as per IEC 61000-2-4.
b: To be defined by product committee. For equipment connected directly or indirectly to the public network, the levels must not be less severe than Class 2.
c: "250/300 cycles" means "250 cycles for 50 Hz test" and "300 cycles for 60 Hz test".

13.4 TEST PROCEDURE

The EUT and its load are placed on a wooden table which is 0.8 meter above a metal ground plane which dimension is 1 meter x 1 meter, the thickness is 0.65mm. It projected beyond the EUT by at least 0.1 meter on all sides. The power cord shall be used the shortest power cord as specified by the manufacturer.

For Voltage Dips / Interruption Test:

The EUT is connected to the power mains through a coupling device that directly couples to the Voltage Dips and Interruption Generator.

The EUT shall be tested for 30% voltage dips of supplied voltage and duration time is 10ms, for 60% voltage dips of supplied voltage and duration time is 100ms with a sequence of three voltage dips with intervals of 10 seconds, and for 95% voltage interruption of supplied voltage and the duration time is 5000ms with a sequence of three voltage interruptions with intervals of 10 seconds.

Voltage phase shifting are shall occur at 0°, 45°, 90°, 135°, 180°, 225°, 270°, 315° of the voltage.



13.5 TEST RESULT

Model: SM(U/S)130-25

Temperature: 23.5°C , Humidity: 55% RH

Voltage Dips	Test Level % U _T	Reduction (%)	Duration	Performance Criteria
	<5	>95	0.5 (periods)	B
	70	30	25 (periods)	B

Voltage Dips	Test Level % U _T	Reduction (%)	Duration	Performance Criteria
	70	30	10ms	C
	40	60	100 and 1000 ms	C

Voltage Dips	Test Level % U _T	Reduction (%)	Duration	Performance Criteria
	<5	>95	250(periods) 5000 ms	C

Performance Criteria:

- A) Normal performance within the specification;
 - B) Temporary degradation or less of function of performance which is self recoverable;
 - C) Temporary degradation or less of function or perform. Which requires. operate intervention or system reset;
 - D) Degradation or loss of function which is not recoverable due to damage of equipment (components) or software, or loss of data;
- "/" : no test.

Final Result: **PASSED**

Remark:

Please refer to appendix 1.



14. PERFORMANCE CRITERIA

- A. The apparatus shall continue to operate as intended during and after the test. No degradation of performance or loss of function is allowed below a performance level specified by the manufacturer, when the apparatus is used as intended.
- B. The apparatus shall continue to operate as intended after the test. No degradation of performance or loss of function is allowed below a performance level specified by the manufacturer, when the apparatus is used as intended. The performance level may be replaced by a permissible loss of performance. During the test, degradation of performance is however allowed.
- C. Temporary loss of function is allowed, provided the function is self-recoverable or can be restored by the operation of the controls.



15. MEASUREMENT UNCERTAINTY

Measurement Item	Measurement Frequency	Polarization	Uncertainty
Conducted Emission	9 kHz ~ 30. MHz	LINE/NEUTRAL	1.78 dB
Radiated Emission	30 MHz ~ 1,000 MHz	Horizontal	3.59 dB
		Vertical	3.89 dB
	1,000 MHz ~ 18GHz	Horizontal	5.00 dB
	1,000 MHz ~ 18GHz	Vertical	4.64 dB



APPENDIX 1

PHOTOS OF TEST CONFIGURATION

Photograph – Conducted Emission Test Setup





Photograph – Radiated Emission Test Setup





Photograph –Harmonics & Flicker Test Setup



Photograph –ESD Test Setup





Photograph –RS Test Setup



Photograph –Surge & EFT Test Setup





Photograph –CS Test Setup



Photograph –DIPS Test Setup





Photograph –PFMF Test Setup



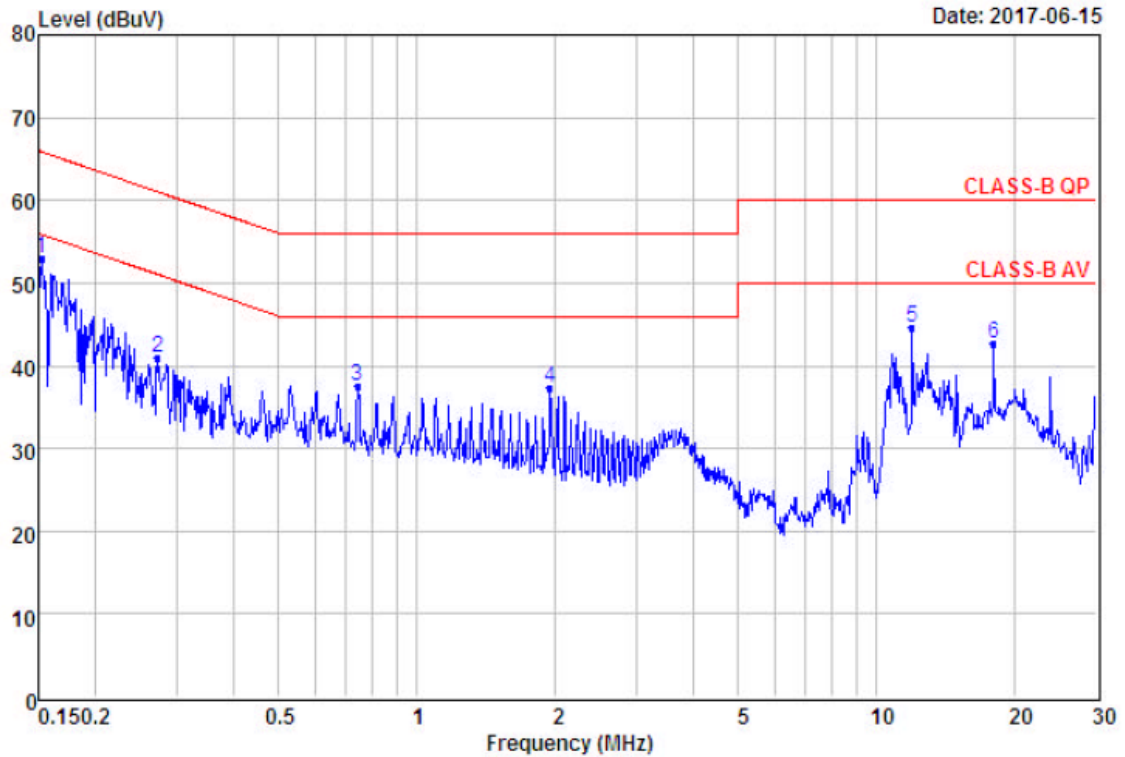


APPENDIX 2 TEST DATA

Test Data – Conducted Emission

Phase: L

AC 110V



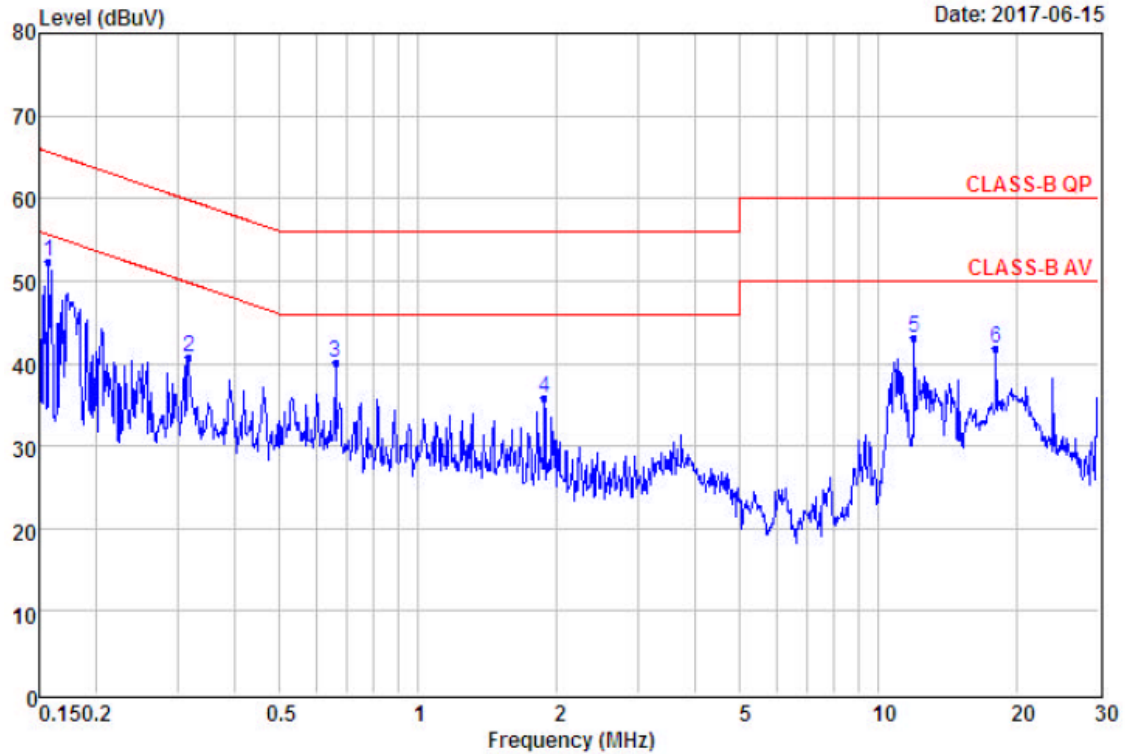
Remarks:

: Factor=Insertion loss+Cable loss

	Freq	Read Level	Level Factor	Over Limit	Limit Line	Remark
	MHz	dBuV	dBuV	dB	dB	dBuV
1 @	0.15	42.86	52.96	10.10	-12.91	65.87 QP
2	0.27	30.79	40.93	10.14	-20.10	61.03 QP
3	0.74	27.31	37.47	10.16	-18.53	56.00 QP
4	1.95	27.12	37.34	10.22	-18.66	56.00 QP
5	11.93	34.12	44.64	10.52	-15.36	60.00 QP
6	17.94	32.11	42.76	10.65	-17.24	60.00 QP



Phase: N
AC 110V



Remarks:

: Factor=Insertion loss+Cable loss

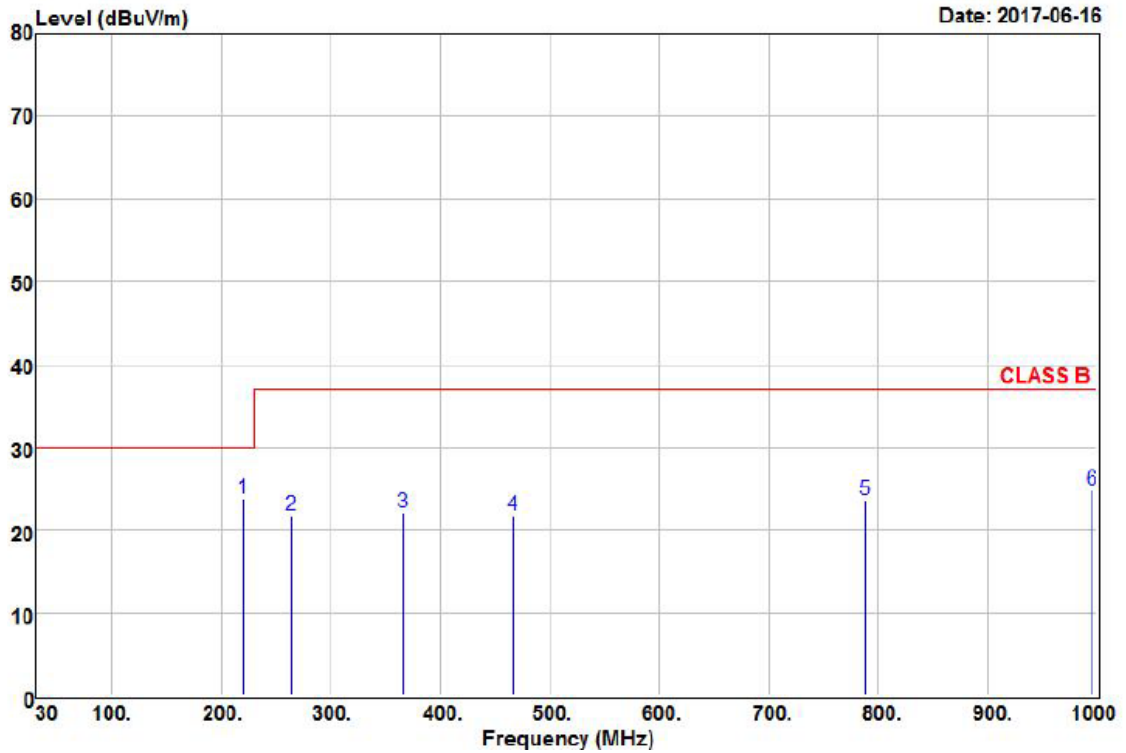
	Freq	Read Level	Level	Factor	Over Limit	Limit	Remark
	MHz	dBuV	dBuV	dB	dB	dBuV	
1	0.16	42.30	52.38	10.08	-13.22	65.60	QP
2	0.32	30.69	40.83	10.14	-18.97	59.80	QP
3	0.66	29.90	40.08	10.18	-15.92	56.00	QP
4	1.88	25.71	35.89	10.18	-20.11	56.00	QP
5	11.93	32.66	43.13	10.47	-16.87	60.00	QP
6	17.94	31.29	41.90	10.61	-18.10	60.00	QP



Test Data – Radiated Emission 1G Below

Polarization: Horizontal

AC 110V

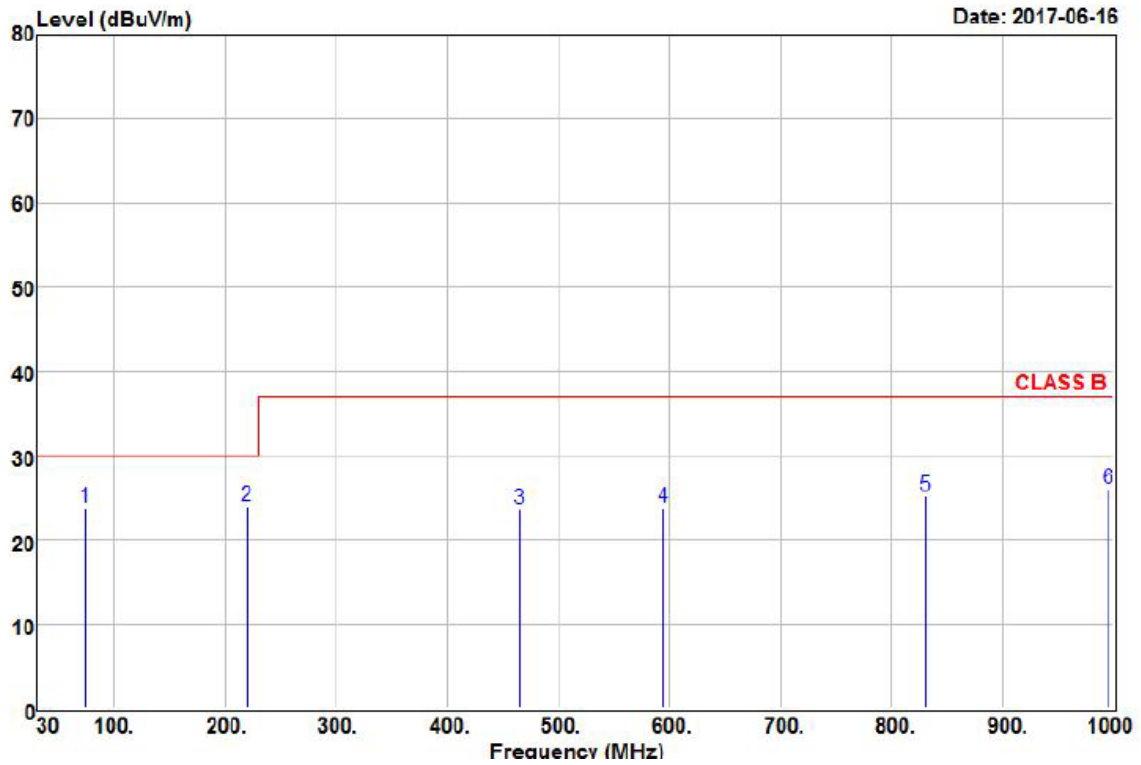


Remarks: : 1.Result=Read Value+Factor
: 2.Factor=Antenna Factor+Cable loss-
: Amplifier Factor

	Read	Over	Limit			
Freq	Level	Factor	Level	Limit	Line	Remark
MHz	dBuV	dB/m	dBuV/m	dB	dBuV/m	
1 @	220.12	43.37	-19.56	23.81	-6.19	30.00 QP
2	263.77	37.01	-15.19	21.82	-15.18	37.00 QP
3	366.59	34.52	-12.35	22.17	-14.83	37.00 QP
4	466.50	31.94	-10.19	21.75	-15.25	37.00 QP
5	788.54	29.68	-5.95	23.73	-13.27	37.00 QP
6	996.12	26.54	-1.63	24.91	-12.09	37.00 QP



Polarization: Vertical
AC 110V



Remarks: : 1.Result=Read Value+Factor
: 2.Factor=Antenna Factor+Cable loss-
: Amplifier Factor

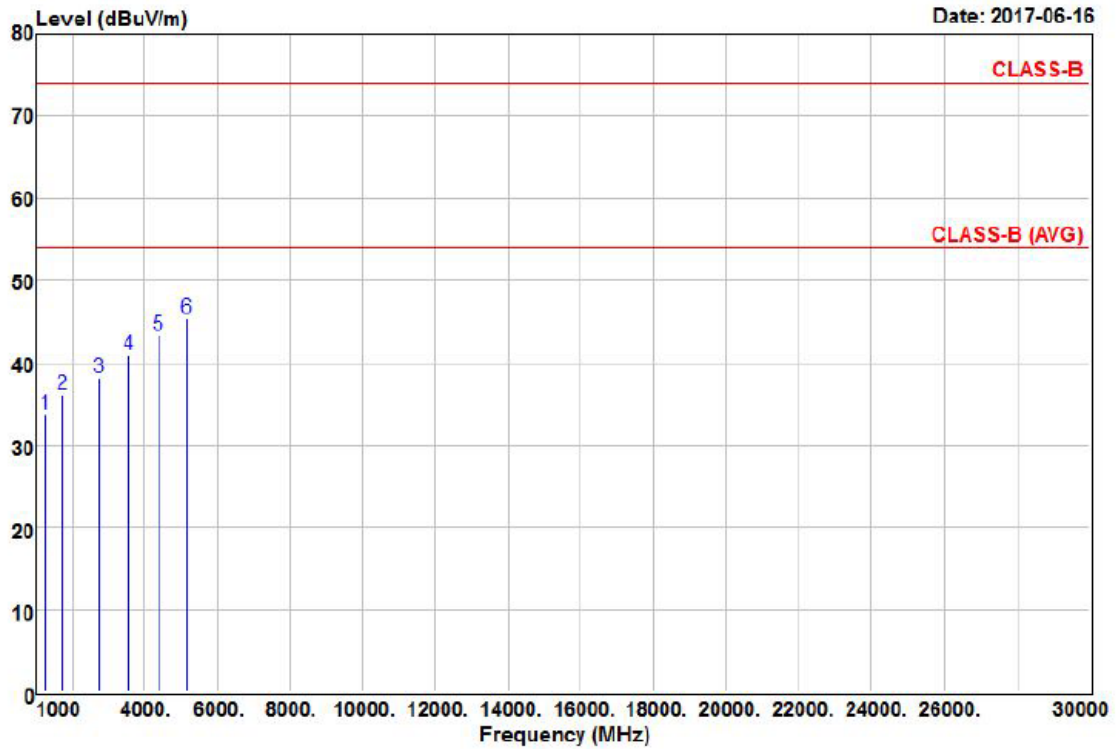
	Freq	Read Level	Factor	Level	Over Limit	Limit Line	Remark
	MHz	dBuV	dB/m	dBuV/m	dB	dBuV/m	
1	73.65	46.31	-22.53	23.78	-6.22	30.00	QP
2 @	220.12	43.52	-19.56	23.96	-6.04	30.00	QP
3	464.56	33.81	-10.23	23.58	-13.42	37.00	QP
4	594.54	33.14	-9.27	23.87	-13.13	37.00	QP
5	831.22	30.21	-5.07	25.14	-11.86	37.00	QP
6	996.12	27.65	-1.63	26.02	-10.98	37.00	QP



Test Data – Radiated Emission 1-30G

Polarization: Horizontal

AC 110V

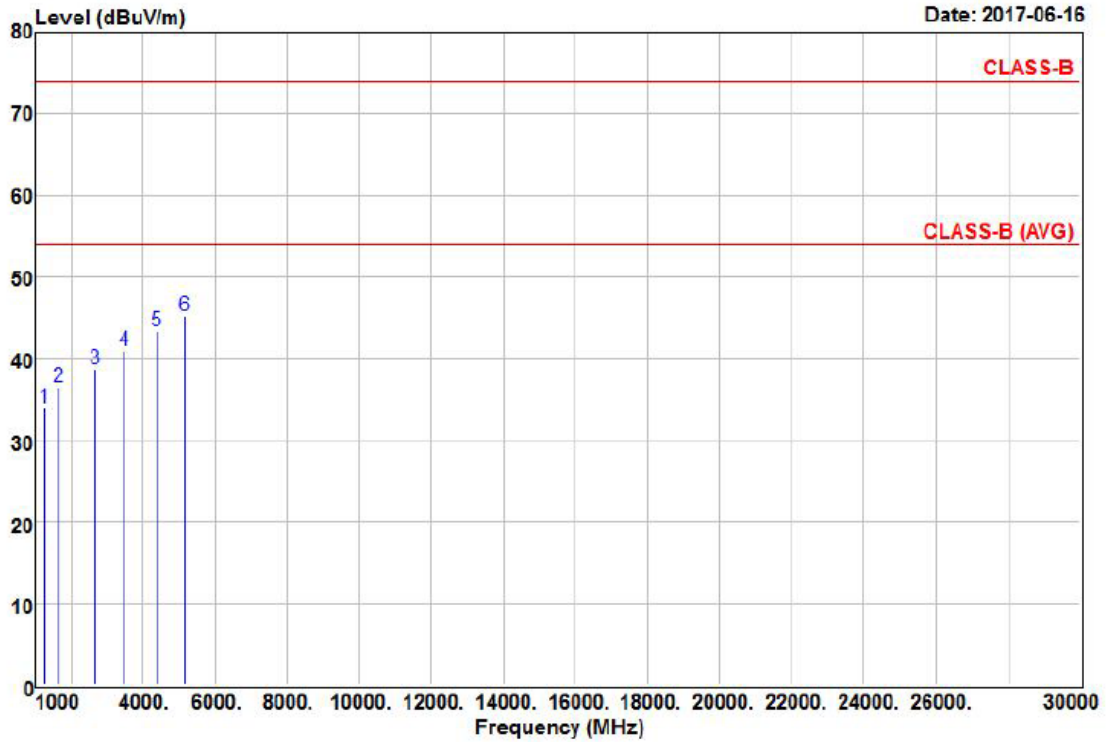


Remarks: : 1.Result=Read Value+Factor
: 2.Factor=Antenna Factor+Cable loss-
: Amplifier Factor

	Read	Over	Limit			
Freq	Level	Factor	Level	Limit	Line	Remark
MHz	dBuV	dB/m	dBuV/m	dB	dBuV/m	
1	53.14	-19.31	33.83	-40.17	74.00	Peak
2	53.04	-16.86	36.18	-37.82	74.00	Peak
3	51.41	-13.20	38.21	-35.79	74.00	Peak
4	50.66	-9.63	41.03	-32.97	74.00	Peak
5	50.71	-7.41	43.30	-30.70	74.00	Peak
6 @	50.67	-5.31	45.36	-28.64	74.00	Peak



Polarization: Vertical
AC 110V



Remarks: : 1.Result=Read Value+Factor
: 2.Factor=Antenna Factor+Cable loss-
: Amplifier Factor

	Freq	Read Level	Factor	Level	Over Limit	Limit Line	Remark
	MHz	dBuV	dB/m	dBuV/m	dB	dBuV/m	
1	1277.00	53.21	-19.36	33.85	-40.15	74.00	Peak
2	1659.00	53.84	-17.29	36.55	-37.45	74.00	Peak
3	2653.00	52.06	-13.40	38.66	-35.34	74.00	Peak
4	3469.00	50.94	-9.92	41.02	-32.98	74.00	Peak
5	4374.00	50.77	-7.45	43.32	-30.68	74.00	Peak
6 @	5159.00	50.62	-5.30	45.32	-28.68	74.00	Peak



Harmonic

EMC PARTNER AG , Laufen

Date : 2017/6/14 下午 01:31 V4.22

File :

Operator
Unit
Serial Number

Urms = 214.8V Freq = 59.963 Range: 2 A
Irms = 0.271A Ipk = 0.566A cf = 2.094
P = 40.99W S = 58.10VA pf = 0.705
THDi = 16.1 % THDu = 1.60 % Class D

Limit Reference: Pmax = 57.451W

Test completed, Result: PASSED

Order	Freq. [Hz]	Iavg [A]	Irms [A]	Imax [A]	Limit [A]	Status
1	60	0.2726	0.2686	0.3607		
2	120	0.0005	0.0045	0.0065		
3	180	0.0294	0.0289	0.0360	0.1953	
4	240	0.0000	0.0024	0.0049		
5	300	0.0143	0.0137	0.0183	0.1092	
6	360	0.0000	0.0035	0.0040		
7	420	0.0065	0.0066	0.0079	0.0575	
8	480	0.0002	0.0044	0.0060		
9	540	0.0137	0.0139	0.0144	0.0287	
10	600	0.0000	0.0010	0.0032		
11	660	0.0094	0.0107	0.0121	0.0201	
12	720	0.0000	0.0033	0.0035		
13	780	0.0123	0.0109	0.0168	0.0170	
14	840	0.0000	0.0013	0.0046		
15	900	0.0068	0.0066	0.0083	0.0147	
16	960	0.0000	0.0037	0.0043		
17	1020	0.0048	0.0061	0.0079	0.0130	
18	1080	0.0000	0.0038	0.0042		
19	1140	0.0017	0.0037	0.0093	0.0116	
20	1200	0.0000	0.0012	0.0028		
21	1260	0.0003	0.0038	0.0068	0.0105	
22	1320	0.0000	0.0027	0.0033		
23	1380	0.0052	0.0051	0.0076	0.0096	
24	1440	0.0000	0.0024	0.0049		
25	1500	0.0021	0.0035	0.0106	0.0088	
26	1560	0.0000	0.0034	0.0044		



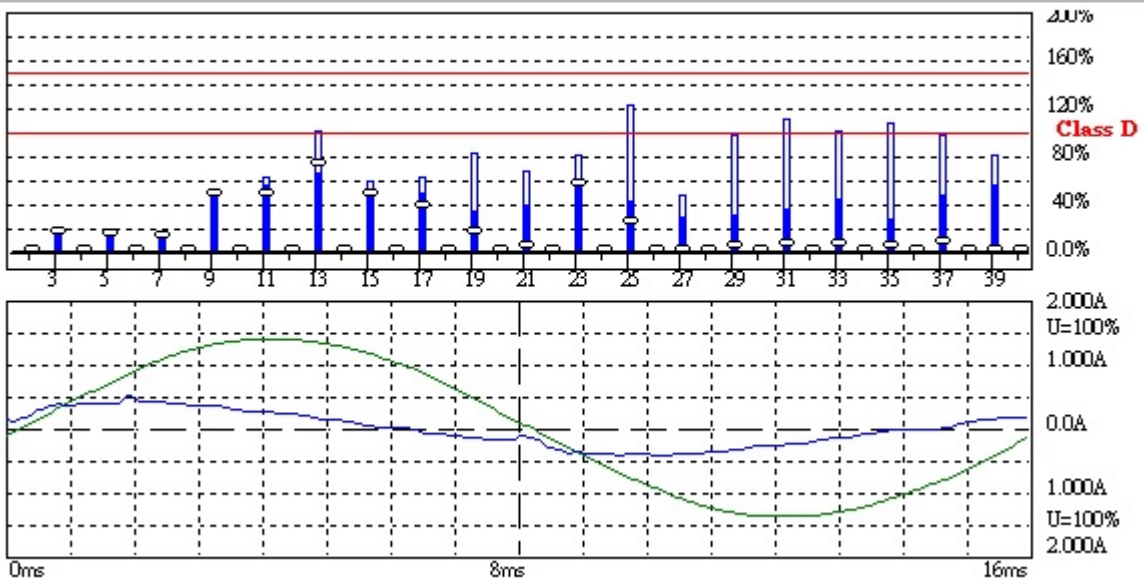
27	1620	0.0000	0.0022	0.0037	0.0082
28	1680	0.0000	0.0035	0.0043	
29	1740	0.0002	0.0022	0.0072	0.0076
30	1800	0.0000	0.0021	0.0029	
31	1860	0.0004	0.0023	0.0077	0.0071
32	1920	0.0000	0.0026	0.0045	
33	1980	0.0003	0.0028	0.0066	0.0067
34	2040	0.0000	0.0013	0.0043	
35	2100	0.0003	0.0016	0.0067	0.0063
36	2160	0.0000	0.0027	0.0035	
37	2220	0.0003	0.0027	0.0057	0.0060
38	2280	0.0000	0.0023	0.0035	
39	2340	0.0000	0.0031	0.0044	0.0057
40	2400	0.0000	0.0021	0.0034	

Important:

- 100% of time voltage "out of Spec"

Pmax is below 75W. This seems not to be a class D equipment.

Voltage on EUT	Urms = 214.8 V	P = 40.99 W	Pmax = 57.45 W
Current into EUT	Irms = 0.271 A	pf = 0.705	THC = 0.043 A





Flicker

EMC PARTNER AG , Laufen

Date : 2017/6/14 下午 01:39 V4.22

File :

Operator

Unit

Serial Number

Urms = 214.8V Freq = 59.981 Range: 2 A
Irms = 0.271A Ipk = 0.559A cf = 2.058
P = 41.18W S = 58.31VA pf = 0.706

LIN (Line Impedance Network) : L: 0.24ohm +j0.15ohm N: 0.16ohm
+j0.10ohm

Limits : Plt : 0.65 Pst : 1.00
dmax : 4.00 % dc :3.00 %
dtLim: 3.00 % dt>Lim: 200ms

Test completed, Result: PASSED

dmax
[%]
1 0.000



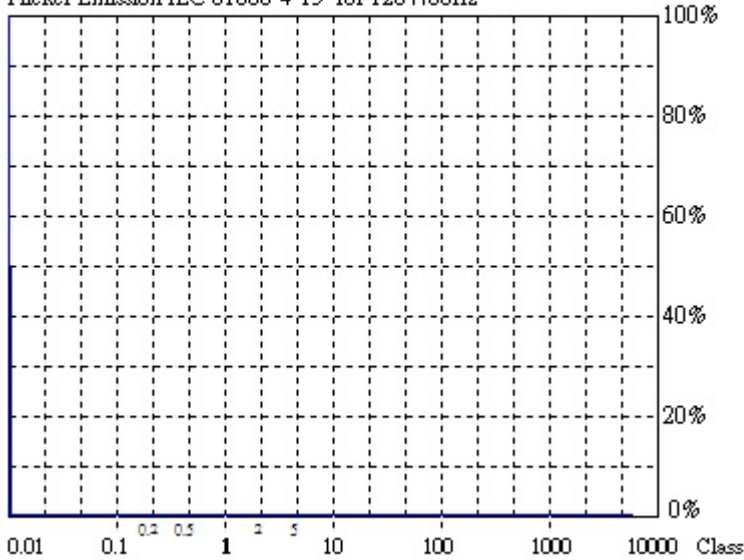
Cumulative Probability Function

Urms = 214.8 V P = 41.18 W
Irms = 0.271 A pf = 0.706

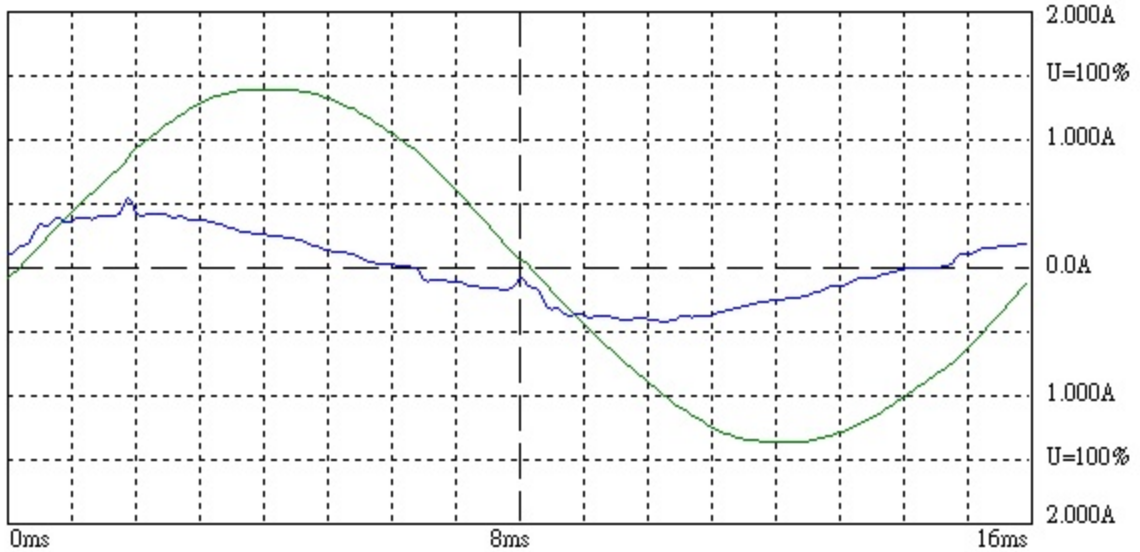
d(t) : steady
Time: 5.0 min



Flicker Emission IEC 61000-4-15 for 120V/60Hz



Actual Flicker (Fli): 0.00
Short-term Flicker (Pst): 0.07
Limit (Pst): 1.00
Long-term Flicker (Plt): 0.07
Limit (Plt): 0.65
Maximum Relative Volt. Change (dmax): 0.00%
Limit (dmax): 4.00%
Relative Steady-state Voltage Change (dc): 0.09%
Limit (dc): 3.00%
Tmax 3.00% (dt): 0.00ms
Limit (dt>Lim): 200ms





PHOTOS OF EUT





